






Reusable Couplings

Part Number		PRICE EACH		Pkg Qty	Item Rank
		Loose	Std Pkg		
2000 HOSE MENDER					
2000-04		2.20	2.00	5	A
2000-06		2.90	2.50	5	A
2000-08		4.50	4.10	5	A
2000-10		7.50	6.70	5	B
2000-12		9.50	8.60	5	B

Part Number		PRICE EACH		Pkg Qty	Item Rank
		Loose	Std Pkg		
2001 PLAIN TUBE END					
2001-04-04		3.30	3.30	1	C
2001-05-04		3.90	3.90	1	C
2001-06-06		3.80	3.80	1	C


Part Number		PRICE EACH		Pkg Qty	Item Rank
		Loose	Std Pkg		
2002 FEMALE INVERTED FLARE					
2002-03-04		3.90	3.90	1	C
2002-04-04		3.80	3.80	1	C
2002-05-04		3.80	3.80	1	C
2002-06-06		4.40	4.40	1	C


Part Number		PRICE EACH		Pkg Qty	Item Rank
		Loose	Std Pkg		
2004 SAE 45° FEMALE SWIVEL					
2004-04-04		3.20	2.90	5	A
2004-05-04		3.40	3.40	1	B
2004-05-05		9.10	9.10	1	C
2004-06-06		3.80	3.40	5	A
2004-06-08		11.10	11.10	1	C
2004-08-06		5.80	5.80	1	B
2004-08-08		4.20	3.90	5	A
2004-08-10		14.60	14.60	1	C
2004-10-08		8.00	8.00	1	C
2004-10-10		8.70	7.70	5	B
2004-12-12	8.70	8.70	1	C	

Part Number		PRICE EACH		Pkg Qty	Item Rank
		Loose	Std Pkg		
2005 JIC 37° FEMALE SWIVEL					
2005-06-06		3.40	3.20	5	A
2005-12-12		11.80	10.50	5	B


Part Number		PRICE EACH		Pkg Qty	Item Rank
		Loose	Std Pkg		
2006 FEMALE PIPE SWIVEL BALL SEAT STYLE					
2006-02-04		5.00	5.00	1	C
2006-04-04		4.50	4.50	1	C
2006-04-06		5.10	5.10	1	C
2006-06-06		6.70	6.70	1	C
2006-08-08		7.50	7.50	1	C


Part Number		PRICE EACH		Pkg Qty	Item Rank
		Loose	Std Pkg		
2008 NPT FEMALE SOLID PUSH-ON FITTING					
2008-02-04		3.00	3.00	1	C
2008-04-04		3.00	3.00	1	C
2008-06-06		4.10	4.10	1	C
2008-08-08		5.80	5.80	1	C


Part Number		PRICE EACH		Pkg Qty	Item Rank
		Loose	Std Pkg		
2012 MALE INVERTED FLARE					
2012-03-04		5.30	5.30	1	C
2012-04-04		3.70	3.70	1	C
2012-05-04		3.80	3.80	1	C
2012-06-06		4.70	4.70	1	C
2012-08-08		8.70	8.70	1	C
2012-10-10		11.80	11.80	1	C

Part Number		PRICE EACH		Pkg Qty	Item Rank
		Loose	Std Pkg		
2014 SAE 45° MALE					
2014-04-04		3.50	3.50	1	C
2014-05-04		3.60	3.60	1	C
2014-06-06		3.70	3.70	1	C
2014-08-08		7.60	7.60	1	C
2014-10-10		8.00	8.00	1	C

Part Number		PRICE EACH		Pkg Qty	Item Rank
		Loose	Std Pkg		
2015 JIC 37° MALE					
2015-06-06		5.30	5.30	1	C

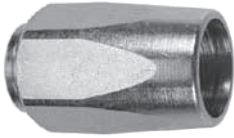
Part Number		PRICE EACH		Pkg Qty	Item Rank
		Loose	Std Pkg		
2016 NPTF MALE					
2016-02-04		1.80	1.60	5	A
2016-02-06		3.20	3.20	1	C
2016-04-04		2.00	1.80	5	A
2016-04-05		2.50	2.20	5	B
2016-04-06		2.20	1.90	5	A
2016-04-08		4.10	4.10	1	C
2016-06-04		3.30	3.30	1	C
2016-06-06		2.70	2.20	5	A
2016-06-08		2.90	2.50	5	A
2016-06-10		6.40	6.40	1	C
2016-08-06	3.80	3.40	5	C	
2016-08-08	3.50	3.30	5	A	
2016-08-10	5.30	4.90	5	B	
2016-08-12	8.20	8.20	1	C	
2016-12-08	7.80	7.80	1	C	
2016-12-10	7.60	7.60	1	C	
2016-12-12	7.20	6.70	5	A	

Part Number		PRICE EACH		Pkg Qty	Item Rank
		Loose	Std Pkg		
3005 JIC 37° FEMALE SWIVEL					
3005-04-04		7.30		1	C
3005-06-06		7.60		1	C
3005-08-08		12.40		1	C
3005-12-12		30.30		1	C
3005-16-16		41.10		1	C

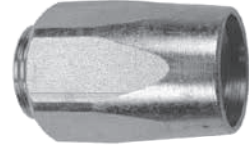
Part Number		PRICE EACH		Pkg Qty	Item Rank
		Loose	Std Pkg		
3016 NPTF MALE					
3016-04-04		6.10		1	C
3016-06-06		7.60		1	C
3016-08-08		8.50		1	C

Reusable Couplings

Part Number	PRICE EACH		Pkg Qty	Item Rank
	Loose	Std Pkg		
3100 SAE 100R1AT SOCKET				
3100-04		6.10	1	C
3100-06		6.40	1	C
3100-08		8.00	1	C



Part Number	PRICE EACH		Pkg Qty	Item Rank
	Loose	Std Pkg		
3200 SAE 100R2AT SOCKET				
3200-04		5.90	1	C
3200-06		6.40	1	C
3200-08		8.00	1	C
3200-12		14.60	1	C
3200-16		39.30	1	C



Part Number	PRICE EACH		Pkg Qty	Item Rank
	Loose	Std Pkg		
3409 CODE 61 FLANGE				
3409-24-32		81.60	1	C
3409-32-24		97.60	1	C
3409-32-32		97.60	1	C
3409-32-40		117.20	1	C
3409-40-32		122.00	1	C
3409-40-40		122.20	1	C
3409-48-48		159.20	1	C
3409-64-64		220.70	1	C



Part Number	PRICE EACH		Pkg Qty	Item Rank
	Loose	Std Pkg		
3449 CODE 61 FLANGE 45° ELBOW				
3449-24-32		111.10	1	C
3449-32-32		121.30	1	C
3449-32-40		153.30	1	C
3449-40-40		155.10	1	C
3449-48-48		181.60	1	C



Part Number	PRICE EACH		Pkg Qty	Item Rank
	Loose	Std Pkg		
3499 CODE 61 FLANGE 90° ELBOW				
3499-24-32		116.90	1	C
3499-32-32		127.70	1	C
3499-32-40		161.50	1	C
3499-32-48		194.60	1	C
3499-40-32		161.90	1	C
3499-40-40		163.40	1	C
3499-40-48		196.20	1	C
3499-48-40		196.90	1	C
3499-48-48		191.20	1	C
3499-64-64		338.30	1	C



Part Number	PRICE EACH		Pkg Qty	Item Rank
	Loose	Std Pkg		
3504 SAE 45° FEMALE SWIVEL				
3504-04-04	7.70	6.10	10	A
3504-04-06	15.20	15.20	1	C
3504-05-05	19.20	15.50	10	B
3504-06-06	9.40	7.50	10	A
3504-08-06	23.90	23.90	1	C
3504-08-08	13.80	11.10	10	A
3504-10-08	41.90	41.90	1	C
3504-10-10	18.90	15.20	5	A
3504-12-12	30.30	24.30	5	B



Part Number	PRICE EACH		Pkg Qty	Item Rank
	Loose	Std Pkg		
3504B BRASS SAE 45° FEMALE SWIVEL				
3504B-04-04	5.80	5.80	1	C
3504B-06-06	8.70	8.70	1	C
3504B-08-08	14.40	11.60	10	B
3504B-10-10	16.10	16.10	1	C
3504B-12-12	36.20	36.20	1	C



Part Number	PRICE EACH		Pkg Qty	Item Rank
	Loose	Std Pkg		
3505 JIC 37° FEMALE SWIVEL				
3505-04-04	8.70	6.90	10	A
3505-04-05	14.50	14.50	1	C
3505-05-05	10.20	8.30	10	A
3505-06-05	14.60	14.60	1	C
3505-06-06	10.80	8.60	10	A



3505-06-08	27.50	27.50	1	C
3505-08-08	13.70	11.00	10	A
3505-08-10	44.30	44.30	1	C
3505-10-10	21.50	17.30	5	A
3505-10-12	72.50	72.50	1	C
3505-12-12	27.20	21.80	5	A
3505-16-16	35.60	28.50	5	A
3505-20-20	45.10	36.00	2	B
3505-24-24	61.40	61.40	1	C
3505-32-32	103.50	103.50	1	C

Part Number	PRICE EACH		Pkg Qty	Item Rank
	Loose	Std Pkg		
3512 MALE INVERTED FLARE				
3512-04-04	17.90	17.90	1	C
3512-05-05	20.20	20.20	1	C
3512-06-06	20.70	20.70	1	C
3512-08-08	23.00	23.00	1	C



Part Number	PRICE EACH		Pkg Qty	Item Rank
	Loose	Std Pkg		
3514 SAE 45° MALE				
3514-04-04	9.60	9.60	1	C
3514-06-06	13.60	13.60	1	C
3514-08-08	17.20	17.20	1	C
3514-10-10	27.70	27.70	1	C



Part Number	PRICE EACH		Pkg Qty	Item Rank
	Loose	Std Pkg		
3515 JIC 37° MALE				
3515-04-04	10.70	10.70	1	C
3515-05-05	15.40	15.40	1	C
3515-06-06	12.50	12.50	1	C
3515-08-08	16.30	16.30	1	C
3515-10-10	26.00	26.00	1	C
3515-12-12	31.50	31.50	1	C
3515-16-16	51.80	51.80	1	C



Part Number	PRICE EACH		Pkg Qty	Item Rank
	Loose	Std Pkg		
3516 NPTF MALE				
3516-02-04	7.10	5.70	10	A
3516-04-04	6.90	5.50	10	B
3516-04-05	5.90	5.90	1	C
3516-04-06	7.70	6.10	10	A
3516-06-06	9.20	7.30	10	B
3516-06-08	12.60	10.10	10	B
3516-08-08	9.00	9.00	1	C
3516-08-10	12.00	12.00	1	C
3516-08-12	28.40	28.40	1	C
3516-12-10	25.00	25.00	1	C
3516-12-12	22.60	18.00	5	B
3516-12-16	24.50	24.50	1	C
3516-16-16	21.90	21.90	1	C
3516-20-20	36.80	36.80	1	C
3516-24-24	58.50	58.50	1	C
3516-32-32	118.00	118.00	1	C



Part Number	PRICE EACH		Pkg Qty	Item Rank
	Loose	Std Pkg		
3542 MALE INVERTED FLARE 45° FITTING				
3542-06-06	24.40	24.40	1	C



Reusable Couplings

Part Number	PRICE EACH		Pkg Qty	Item Rank
	Loose	Std Pkg		
3544 SAE 45° FEMALE - 45° ELBOW				
3544-04-04	25.20	20.00	10	B
3544-05-05	21.70	21.70	1	C
3544-06-06	26.90	26.90	1	C
3544-08-08	27.30	21.80	10	B
3544-10-10	39.20	39.20	1	C
3545 JIC 37° FEMALE - 45° ELBOW				
3545-06-06	27.30	27.30	1	C
3545-12-12	46.20	46.20	1	C
3545-16-16	66.40	66.40	1	C
3545-20-20	167.00	167.00	1	C
3592 MALE INVERTED FLARE - 90° ELBOW				
3592-04-04	28.50	28.50	1	C
3592-05-05	22.00	22.00	1	C
3592-06-06	23.20	23.20	1	C
3592-08-08	49.50	49.50	1	C
3594 SAE 45° FEMALE - 90° ELBOW				
3594-04-04	23.30	18.60	10	A
3594-05-05	32.80	26.30	10	B
3594-06-06	27.90	22.30	10	B
3594-08-08	35.80	28.50	10	B
3594-10-10	41.30	33.20	5	B
3594L SAE 45° FEMALE - LONG 90° ELBOW				
3594L-04-04	23.00	23.00	1	C
3594L-05-05	35.10	35.10	1	C
3594L-06-06	24.60	24.60	1	C
3594L-08-08	26.60	26.60	1	C
3595 JIC 37° FEMALE - 90° ELBOW				
3595-06-06	30.80	24.70	10	A
3595-12-12	38.50	38.50	1	C
3595-16-16	54.00	54.00	1	C
3595-20-20	99.60	99.60	1	C
3595L JIC 37° FEMALE - LONG 90° ELBOW				
3595L-06-06	30.10	30.10	1	C
3595L-12-12	56.00	56.00	1	C
3595L-16-16	95.60	95.60	1	C

Part Number	PRICE EACH		Pkg Qty	Item Rank
	Loose	Std Pkg		
4100 REPLACEMENT SLEEVE				
4100-04	3.10		1	C
4100-05	3.20		1	C
4100-06	3.20		1	C
4100-08	3.30		1	C
4100-10	6.40		1	C
4100-12	6.70		1	C
4100-16	6.70		1	C
4101 SAE BALL SLEEVE				
4101-10-10	39.20		1	C
4104 SAE 45° FEMALE SWIVEL				
4104-04-04	18.60		1	B
4104-05-05	14.90		1	C
4104-06-06	17.00		1	C
4104-08-08	22.50		1	C
4104-10-10	30.00		1	B
4104-12-12	37.60		1	C
4105 JIC 37° FEMALE SWIVEL				
4105-06-06	15.60		1	C
4105-12-12	41.30		1	B
4105-16-16	41.70		1	C
4116 NPTF MALE				
4116-02-04	24.80		1	C
4116-04-04	14.80		1	C
4116-04-05	16.10		1	C
4116-08-10	21.80		1	C
4116-12-12	28.40		1	C
4170 AIR BRAKE COMPRESSION				
4170-10-10	30.30		1	C
4170-12-12	30.30		1	C
4194 SAE 45° FEMALE - 90° ELBOW				
4194-04-04	32.10		1	C
4194-06-06	37.80		1	C
4194-08-08	38.30		1	C

