

0011... O-RING BOSS REPLACEMENT RINGS



| Part Number | O-Ring ID | Wall Dia |
|-------------|-----------|----------|
| 0011-02 | 0.239" | 0064" |
| 0011-03 | 0.301" | 0064" |
| 0011-04 | 0.351" | 0072" |
| 0011-05 | 0.414" | 0072" |
| 0011-06 | 0.468" | 0078" |
| 0011-08 | 0.644" | 0087" |
| 0011-10 | 0.755" | 0097" |
| 0011-12 | 0.924" | 0116" |
| 0011-14 | 1.048" | 0116" |
| 0011-16 | 1.171" | 0116" |
| 0011-20 | 1.475" | 0118" |
| 0011-24 | 1.720" | 0118" |
| 0011-32 | 2.337" | 0118" |

00093... O-RING FACE SEAL REPLACEMENT RINGS



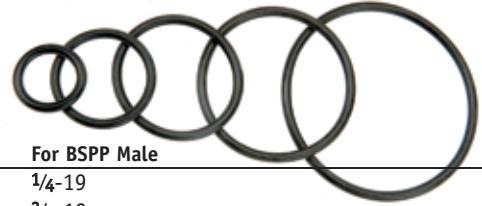
| Part Number | O-Ring ID | Wall Dia |
|-------------|-----------|----------|
| 00093-04 | 0.301" | 0070" |
| 00093-06 | 0.364" | 0070" |
| 00093-08 | 0.489" | 0070" |
| 00093-10 | 0.614" | 0070" |
| 00093-12 | 0.739" | 0070" |
| 00093-16 | 0.926" | 0070" |
| 00093-20 | 1.176" | 0070" |
| 00093-24 | 1.489" | 0070" |

G11-N90... SAE FLANGE REPLACEMENT RINGS



| Part Number | O-Ring ID | Wall Dia | Flange Size |
|-------------|-----------|----------|-------------|
| G11-N90-210 | 0.734" | 0139" | -08 |
| G11-N90-214 | 0.984" | 0139" | -12 |
| G11-N90-219 | 1.296" | 0139" | -16 |
| G11-N90-222 | 1.484" | 0139" | -20 |
| G11-N90-225 | 1.859" | 0139" | -24 |
| G11-N90-228 | 2.234" | 0139" | -32 |
| G11-N90-232 | 2.734" | 0139" | -40 |
| G11-N90-237 | 3.359" | 0139" | -48 |

00026 BSP O-RINGS FOR RECESSED PORT ADAPTERS



| Part Number | For BSPP Male |
|-------------|---------------|
| 00026-04 | 1/4-19 |
| 00026-06 | 3/8-19 |
| 00026-08 | 1/2-14 |
| 00026-10 | 5/8-14 |
| 00026-12 | 3/4-14 |
| 00026-16 | 1-11 |
| 00026-20 | 1 1/4-11 |
| 00026-24 | 1 1/2-11 |

00036... BSP BONDED SEALS



BSP bonded seals are used on BSP ports with flush face sealing.

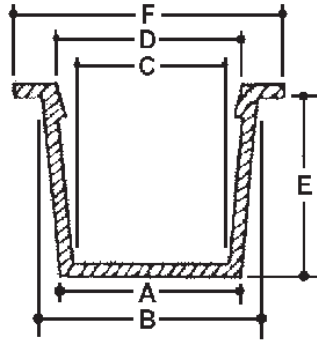
| Part Number | For BSPP Male |
|-------------|---------------|
| 00036-02 | 1/8-27 |
| 00036-04 | 1/4-19 |
| 00036-06 | 3/8-19 |
| 00036-08 | 1/2-14 |
| 00036-10 | 5/8-14 |
| 00036-12 | 3/4-14 |
| 00036-16 | 1-11 |
| 00036-20 | 1 1/4-11 |
| 00036-24 | 1 1/2-11 |
| 00036-32 | 2-11 |

00073... BONDED SEAL FOR METRIC THREAD



| Part Number | For Metric Male |
|-------------|-----------------|
| 00073-06 | 6mm |
| 00073-08 | 8mm |
| 00073-10 | 10mm |
| 00073-12 | 12mm |
| 00073-14 | 14mm |
| 00073-16 | 16mm |
| 00073-18 | 18mm |
| 00073-20 | 20mm |
| 00073-22 | 22mm |
| 00073-24 | 24mm |
| 00073-26 | 26mm |
| 00073-30 | 30mm |
| 00073-33 | 33mm |

G9... PROTECTIVE CAP PLUGS



Plastic caps and plugs are used interchangeably as either a cap for a male thread or a plug for a female thread. They are used both to protect threads and to maintain a hose assembly's cleanliness. These tapered caps and plugs are not threaded.

G9 PROTECTIVE CAP PLUGS

| Part No. | Industry Ref. | Dimensions (inches) | | | |
|----------|---------------|---------------------|---------------|-------|-------|
| | | A-B | C-D | E | F |
| G9-01 | 5 | 0.236 - 0.302 | 0.174 - 0.240 | 0.380 | 0.440 |
| G9-02 | 7 | 0.299 - 0.365 | 0.235 - 0.302 | 0.380 | 0.500 |
| G9-03 | 9 | 0.361 - 0.427 | 0.298 - 0.365 | 0.380 | 0.560 |
| G9-04 | 11 | 0.419 - 0.485 | 0.356 - 0.422 | 0.380 | 0.630 |
| G9-04X | 12 | 0.447 - 0.513 | 0.385 - 0.451 | 0.380 | 0.660 |
| G9-05 | 13 | 0.471 - 0.547 | 0.409 - 0.485 | 0.440 | 0.690 |
| G9-05X | 14 | 0.500 - 0.576 | 0.440 - 0.516 | 0.440 | 0.720 |
| G9-06 | 15 | 0.532 - 0.608 | 0.468 - 0.545 | 0.440 | 0.750 |
| G9-06X | 17 | 0.550 - 0.631 | 0.487 - 0.568 | 0.470 | 0.750 |
| G9-07 | 16 | 0.531 - 0.620 | 0.468 - 0.555 | 0.500 | 0.750 |
| G9-07X | 20 | 0.610 - 0.695 | 0.549 - 0.634 | 0.500 | 0.813 |
| G9-08 | 21 | 0.640 - 0.727 | 0.578 - 0.664 | 0.500 | 0.880 |
| G9-08X | 22 | 0.675 - 0.754 | 0.615 - 0.690 | 0.630 | 0.880 |
| G9-09 | 23 | 0.690 - 0.788 | 0.628 - 0.726 | 0.560 | 0.940 |
| G9-09X | 26 | 0.725 - 0.823 | 0.663 - 0.761 | 0.560 | 0.970 |
| G9-10 | 27 | 0.750 - 0.848 | 0.687 - 0.785 | 0.560 | 1.000 |
| G9-11 | 28 | 0.802 - 0.911 | 0.740 - 0.849 | 0.630 | 1.060 |
| G9-11X | 29 | 0.815 - 0.930 | 0.753 - 0.868 | 0.630 | 1.090 |
| G9-12 | 31 | 0.870 - 0.975 | 0.804 - 0.920 | 0.630 | 1.310 |
| G9-12X | 35 | 0.915 - 1.040 | 0.855 - 0.980 | 0.690 | 1.160 |
| G9-13X | 41 | 0.995 - 1.145 | 0.933 - 1.083 | 0.750 | 1.310 |
| G9-14 | 42 | 1.110 - 1.225 | 1.038 - 1.180 | 0.750 | 1.500 |
| G9-14X | 44 | 1.175 - 1.284 | 1.113 - 1.222 | 0.630 | 1.440 |
| G9-15X | 45 | 1.235 - 1.360 | 1.173 - 1.298 | 0.810 | 1.500 |
| G9-16 | 49 | 1.311 - 1.470 | 1.249 - 1.400 | 0.750 | 1.630 |
| G9-17X | 54 | 1.513 - 1.600 | 1.451 - 1.537 | 0.500 | 1.750 |
| G9-18 | 55 | 1.560 - 1.682 | 1.498 - 1.620 | 0.750 | 1.880 |
| G9-19 | 57 | 1.750 - 1.880 | 1.688 - 1.818 | 0.750 | 2.000 |
| G9-20 | 58 | 1.807 - 1.938 | 1.743 - 1.874 | 1.000 | 2.160 |
| G9-21 | 62 | 1.902 - 2.085 | 1.839 - 2.015 | 1.000 | 2.310 |
| G9-240 | 72 | 2.298 - 2.464 | 2.235 - 2.401 | 1.000 | 2.630 |
| G9-250 | 75 | 2.395 - 2.602 | 2.333 - 2.540 | 1.130 | 2.810 |
| G9-300 | 88 | 3.270 - 3.862 | 3.200 - 3.492 | 1.120 | 3.690 |
| G9-400 | 95 | 4.368 - 4.622 | 4.288 - 4.542 | 1.000 | 5.000 |

0500P... PLASTIC TEAR-OFF JIC CAPS

| Part Number | For JIC Thread |
|-------------|----------------|
| 0500P-04 | 7/16-20 |
| 0500P-06 | 9/16-18 |
| 0500P-08 | 3/4-16 |
| 0500P-10 | 7/8-14 |
| 0500P-12 | 1 1/16-12 |
| 0500P-16 | 1 5/16-12 |



0500PT... PLASTIC THREADED JIC CAPS

| Part Number | JIC Thread |
|-------------|------------|
| 0500PT-04 | 7/16-20 |
| 0500PT-05 | 1/2-20 |
| 0500PT-06 | 9/16-18 |
| 0500PT-08 | 3/4-16 |
| 0500PT-10 | 7/8-14 |
| 0500PT-12 | 1 1/16-12 |
| 0500PT-16 | 1 5/16-12 |
| 0500PT-20 | 1 5/8-12 |
| 0500PT-24 | 1 7/8-12 |



1500P... PLASTIC THREADED JIC PLUGS

| Part Number | JIC Thread |
|-------------|------------|
| 1500P-04 | 7/16-20 |
| 1500P-05 | 1/2-20 |
| 1500P-06 | 9/16-18 |
| 1500P-08 | 3/4-16 |
| 1500P-10 | 7/8-14 |
| 1500P-12 | 1 1/16-12 |
| 1500P-16 | 1 5/16-12 |
| 1500P-20 | 1 5/8-12 |
| 1500P-24 | 1 7/8-12 |
| 1500P-32 | 2 1/2-12 |



0800P... PLASTIC TEAR-OFF NPT PIPE CAPS

| Part Number | NPT Thread |
|-------------|-------------|
| 0800P-04 | 1/4-18 |
| 0800P-06 | 3/8-18 |
| 0800P-08 | 1/2-14 |
| 0800P-12 | 3/4-14 |
| 0800P-16 | 1-1 1/2 |
| 0800P-20 | 1 1/4-1 1/2 |



83000P... PLASTIC TEAR-OFF ORFS CAPS

| Part Number | ORFS Thread |
|-------------|-------------|
| 83000P-04 | 9/16-18 |
| 83000P-06 | 1 1/16-16 |
| 83000P-08 | 1 3/16-16 |
| 83000P-10 | 1-14 |
| 83000P-12 | 1 3/16-12 |
| 83000P-16 | 1 7/16-12 |

93000P... PLASTIC TEAR-OFF ORFS PLUGS

| Part Number | ORFS Thread |
|-------------|-------------|
| 93000P-04 | 9/16-18 |
| 93000P-06 | 1 1/16-16 |
| 93000P-08 | 1 3/16-16 |
| 93000P-10 | 1-14 |
| 93000P-12 | 1 3/16-12 |
| 93000P-16 | 1 7/16-12 |
| 93000P-20 | 1 11/16-12 |

EQUIPMENT & ACCESSORIES

These replacement o-rings are made from buna-n nitrile rubber and are resistant to gasoline, oil, grease and petroleum base hydraulic fluids. Other o-ring materials can be special ordered. Find the o-ring dash size that matches the dash size of the fitting.

0011KIT... ORB BOSS O-RING KIT



| Part Number | Description |
|---|----------------|
| 0011-KIT | ORB O-Ring Kit |
| <i>Contains 250 assorted 90 durometer o-rings for o-ring boss connections in sizes -04 to -16</i> | |

00093KIT... O-RING FACE SEAL KIT



| Part Number | Description |
|--|----------------------|
| 00093-KIT | O-Ring Face Seal Kit |
| <i>Contains 155 assorted 90 durometer o-rings for o-ring face seal connections in sizes -04 to -24</i> | |

G11KIT... INDUSTRIAL O-RING KIT



| Part Number | Description |
|--|--------------------------------------|
| G11KIT-N70 | 70 Durometer – Industrial/Automotive |
| G11KIT-N90 | 90 Durometer – Hydraulic |
| <i>Both kits contain 382 assorted nitrile o-rings in 30 common sizes</i> | |

TPG...



PLASTIC STRAIN RELIEVERS

Strain relievers are an important tool in protecting hose assemblies from early failure due to excessive pulling or bending near the coupling. These tapered black plastic strain relief guards are particularly popular and essential for hot water pressure wash assemblies due to the harshness of the application and are strongly recommended to help prevent premature hose failure.

| Part Number | Description |
|-------------|---------------------------------|
| TPG-530 | 0.053" I.D. black tapered guard |
| TPG-625 | 0.625" I.D. black tapered guard |
| TPG-725 | 0.725" I.D. black tapered guard |

NAS... NYLON ABRASION SLEEVE

Extreme high pressure fluid leaks can cause injuries where a stream of fluid penetrates the skin. High pressure hydraulic hoses that operate in proximity to workers must be covered by a protective sleeve. The sleeve is installed over the entire assembly length and fixed over the crimp ferrule at both ends with ferrules or strap clamps.

| Part No. | Sleeve I.D. |
|----------|-------------|
| NAS-082 | 0.82" |
| NAS-100 | 1.00" |
| NAS-113 | 1.13" |
| NAS-125 | 1.25" |
| NAS-158 | 1.58" |
| NAS-178 | 1.78" |
| NAS-191 | 1.91" |
| NAS-206 | 2.06" |
| NAS-218 | 2.18" |
| NAS-238 | 2.38" |
| NAS-254 | 2.54" |
| NAS-293 | 2.93" |
| NAS-334 | 3.34" |
| NAS-365 | 3.65" |
| NAS-440 | 4.40" |



NASV... NYLON ABRASION SLEEVE WITH VELCRO CLOSURE

For fast and easy installation, and simple retrofits

| Part No. | Sleeve I.D. |
|----------|-------------|
| NAVS-238 | 2.38" |
| NAVS-275 | 2.75" |
| NAVS-300 | 3.00" |
| NAVS-500 | 5.00" |
| NAVS-700 | 7.00" |



EQUIPMENT & ACCESSORIES

PUBS... POLYURETHANE SMOOTH ABRASION SLEEVE



Polyurethane sleeve is smooth, extremely abrasion resistant, and flame retardant. The UV resistant material will not soak up debris and oil to cause a fire hazard as woven nylon or polyester can. Choose from black (PUBS) or bright yellow (PUYS)

| Part Number | Sleeve I.D. | Standard Length |
|----------------|-------------|-----------------|
| <i>Black:</i> | | |
| PUBS-088 | 7/8" | 30 ft |
| PUBS-100 | 1" | 30 |
| PUBS-113 | 1 1/8" | 30 |
| PUBS-125 | 1 1/4" | 30 |
| PUBS-138 | 1 3/8" | 30 |
| PUBS-163 | 1 5/8" | 30 |
| <i>Yellow:</i> | | |
| PUYS-100 | 1" | 30 ft |
| PUYS-138 | 1 3/8" | 30 |

PG... PLASTIC HOSE GUARD



Plastic protective coil is a flat plastic amour guard designed to offer both abrasion resistance and kink resistance. This light weight plastic coil is made from abrasion and petroleum resistant thermoplastic and can also be used to bundle hose lines together.

| Part No. | Guard I.D. | Fits Hose O.D Range | Standard Length |
|----------|------------|---------------------|-----------------|
| PG-038 | 0.40" | 1/4" - 1/2" | 100 ft |
| PG-050 | 0.50" | 1/2" - 3/4" | 100 |
| PG-063 | 0.65" | 3/4" - 7/8" | 100 |
| PG-075 | 0.80" | 7/8" - 1 1/8" | 100 |
| PG-100 | 1.00" | 1" - 1 1/4" | 100 |
| PG-113 | 1.10" | 1 1/8" - 1 3/8" | 100 |
| PG-138 | 1.40" | 1 3/8" - 1 5/8" | 100 |
| PG-175 | 1.70" | 1 5/8" - 2 1/8" | 100 |
| PG-225 | 2.20" | 2 1/4" - 2 5/8" | 100 |
| PG-250 | 2.60" | 2 5/8" - 3 1/4" | 75 |
| PG-325 | 3.20" | 3 1/4" - 3 5/8" | 50 |
| PG-400 | 3.90" | 3 5/8" - 4 1/2" | 50 |
| PG-450 | 4.50" | 4 1/2" - 5 1/8" | 40 |
| PG-500 | 5.00" | 5 1/8" - 5 7/8" | 30 |

PGH... HEAVY POLYETHYLENE HOSE GUARD



PGH is a heavier hose wrap commonly found in extreme applications in forestry and mining. It is used for bundling and abrasion resistance and has radius machined edges for easy assembly.

| Part Number | Guard I.D. | Fits Hose O.D. Range |
|-------------|------------|----------------------|
| PGH-050 | 0.53" | 1/2" - 1" |
| PGH-075 | 0.77" | 3/4" - 1 1/2" |
| PGH-100 | 1.00" | 1" - 2" |
| PGH-125 | 1.30" | 1 1/4" - 2 1/2" |
| PGH-150 | 1.53" | 1 1/2" - 3" |
| PGH-200 | 1.90" | 2" - 4" |
| PGH-300 | 3.25" | |
| PGH-400 | 4.00" | |
| PGH-600 | 6.00" | |

} Used mainly for hose bundling

SG... STEEL SPRING HOSE GUARD



Steel spring guard is designed to provide a hose assembly with abrasion resistance and kink resistance. Spring guard is made from rust resistant plated steel wire and should be tightly fit to the hose cover.

| Part Number | Spring ID |
|-------------|-----------|
| SG-063 | 5/8" |
| SG-075 | 3/4" |
| SG-088 | 7/8" |
| SG-100 | 1" |
| SG-118 | 1 3/16" |
| SG-131 | 1 5/16" |
| SG-163 | 1 5/8" |
| SG-213 | 2 1/8" |

SAFETY WARNING TAGS...



| Part Number | Description |
|-------------|--------------------------|
| 120J-TAG | Safety tag for jack hose |
| 116-TAG | Safety tag for 116 hose |



EQUIPMENT & ACCESSORIES

G38... DOUBLE BOLT CLAMPS



Clamps for SAE 100R4 hose style 141 suction/return for vacuum or very low pressure applications.

| Part Number | Minimum Size | Maximum Size |
|-------------|--------------|--------------|
| G38-075 | 113" | 119" |
| G38-100 | 156" | 181" |
| G38-125 | 175" | 205" |
| G38-150 | 211" | 230" |
| G38-200 | 231" | 263" |

G6N... RUBBER CUSHIONED SUPPORT CLAMP



G6N clamps have a 1/2" wide galvanized steel strap fitted with a rubber liner. The bolt hole measures 0.256".

| Part Number | Inside Diameter |
|-------------|-----------------|
| G6N-04 | 1/4" |
| G6N-06 | 3/8" |
| G6N-08 | 1/2" |
| G6N-10 | 5/8" |
| G6N-12 | 3/4" |
| G6N-14 | 7/8" |
| G6N-16 | 1" |
| G6N-18 | 1 1/8" |
| G6N-20 | 1 1/4" |
| G6N-24 | 1 1/2" |
| G6N-28 | 1 3/4" |
| G6N-32 | 2" |

G6... SUPPORT CLAMP



G6 Support Clamps are galvanized steel dipped in vinyl to prevent chafing. They feature a 3/4" wide strap and 13/32" bolt hole.

| Part Number | Inside Diameter | Part Number | Inside Diameter |
|-------------|-----------------|-------------|-----------------|
| G6-04 | 1/4" | G6-21 | 15/16" |
| G6-06 | 3/8" | G6-24 | 1 1/2" |
| G6-07 | 7/16" | G6-25 | 19/16" |
| G6-08 | 1/2" | G6-28 | 1 3/4" |
| G6-09 | 9/16" | G6-29 | 1 13/16" |
| G6-10 | 5/8" | G6-32 | 2" |
| G6-11 | 1 1/16" | G6-33 | 2 1/16" |
| G6-12 | 3/4" | G6-36 | 2 1/4" |
| G6-13 | 13/16" | G6-44 | 2 3/4" |
| G6-15 | 15/16" | G6-46 | 2 7/8" |
| G6-16 | 1" | | |
| G6-17 | 1 1/16" | | |
| G6-18 | 1 1/8" | | |
| G6-19 | 1 3/16" | | |
| G6-20 | 1 1/4" | | |

EQUIPMENT & ACCESSORIES

G6S, G6T, & G6HD... SUPPORT CLAMPS

Pipe and tube support clamps consist of a steel weld plate, two clamp halves of green polypropylene or black nylon, and a plated steel cover plate, bolted together with hex bolts. These parts conform to DIN 3015, parts 1 (standard duty single clamps), part 2 (standard duty twin clamps), and part 3 (heavy duty single clamps). The green heavy duty series are mostly used in industrial applications, while the black standard series are more popular on agricultural machinery.

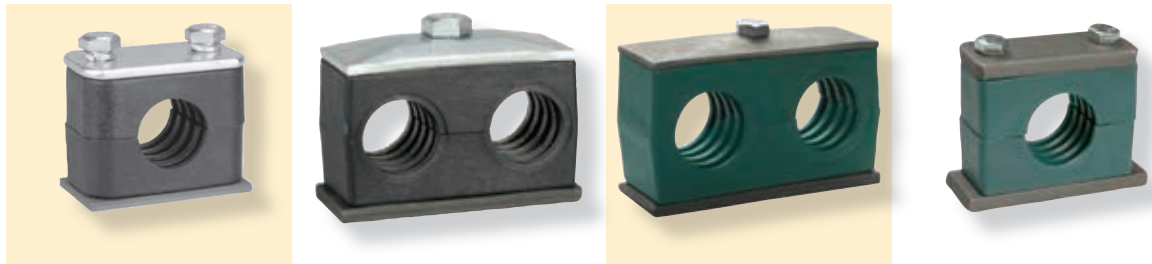
A wide variety of special configurations and materials are available on special order. Aluminum clamp halves are available for high heat applications.

Mounting Guidelines

The recommended distance between supports in a piping system is given below and can be used to calculate the total clamps required. At bends, clamps should be installed on both sides as close as possible to the bend. The first clamp should be mounted directly adjacent to the threaded connection or coupling to protect the connection from vibration.

Temperature Range for Continuous Service:

- Green Polypropylene -30°C to 90°C (-22°F to 194°F)
- Black Nylon (polyamide) -40°C to 140°C (-40°F to 284°F)
- Aluminum -55°C to 260°C (-67°F to 500°F)



| | | STANDARD SERIES CLAMPS | | | HEAVY-DUTY CLAMPS |
|-----------|-------|------------------------|--------------|------------|-------------------|
| | | G6SN | G6TN | G6T | G6HD |
| Hole Size | | | | | |
| | in | mm | Single Nylon | Twin Nylon | Single HD PP |
| 0.25 | 6.4 | G6SN-1-025 | | G6T-1-025 | G6HD-3-025 |
| 0.38 | 10.0 | G6SN-1-038 | | G6T-1-038 | G6HD-3-038 |
| 0.47 | 12.0 | G6SN-1-047 | | | |
| 0.50 | 12.7 | G6SN-2-050 | G6TN-2-050 | G6T-2-050 | G6HD-3-050 |
| 0.53 | 13.5 | G6SN-2-053 | G6TN-2-053 | G6T-2-053 | G6HD-3-053 |
| 0.59 | 15.0 | G6SN-2-059 | G6TN-2-059 | | |
| 0.63 | 16.0 | G6SN-2-063 | G6TN-2-063 | G6T-2-063 | G6HD-3-063 |
| 0.67 | 17.2 | G6SN-2-067 | G6TN-2-067 | G6T-2-067 | G6HD-3-067 |
| 0.71 | 18.0 | G6SN-3-071 | G6TN-3-071 | | |
| 0.75 | 19.0 | G6SN-3-075 | G6TN-3-075 | G6T-3-075 | G6HD-4-075 |
| 0.79 | 20.0 | G6SN-3-079 | G6TN-3-079 | | |
| 0.84 | 21.3 | G6SN-3-084 | G6TN-3-084 | G6T-3-084 | G6HD-4-084 |
| 0.88 | 22.0 | | | | G6HD-4-088 |
| 0.98 | 25.0 | G6SN-3-098 | G6TN-3-098 | | |
| 1.00 | 25.4 | G6SN-3-100 | G6TN-3-100 | G6T-3-100 | G6HD-4-100 |
| 1.06 | 26.9 | G6SN-4-106 | G6TN-4-106 | G6T-4-106 | G6HD-4-106 |
| 1.10 | 28.0 | G6SN-4-110 | G6TN-4-110 | G6T-4-110 | G6HD-4-110 |
| 1.18 | 30.0 | G6SN-4-118 | G6TN-4-118 | | |
| 1.25 | 32.0 | G6SN-5-125 | G6TN-5-125 | G6T-5-125 | G6HD-5-125 |
| 1.31 | 33.7 | | | G6T-5-131 | G6HD-5-131 |
| 1.50 | 38.0 | G6SN-5-150 | G6TN-5-150 | G6T-5-150 | G6HD-5-150 |
| 1.66 | 42.0 | | | G6T-5-166 | G6HD-5-166 |
| 1.75 | 44.5 | G6SN-6-175 | G6TN-6-175 | | |
| 1.90 | 48.3 | G6SN-6-190 | G6TN-6-190 | | G6HD-6-190 |
| 2.00 | 50.8 | G6SN-6-200 | G6TN-6-200 | | G6HD-6-200 |
| 2.13 | 54.0 | | | | G6HD-6-213 |
| 2.25 | 57.2 | G6SN-7-225 | G6TN-7-225 | | G6HD-6-225 |
| 2.38 | 60.5 | | | | G6HD-6-238 |
| 2.50 | 63.5 | | | | G6HD-6-250 |
| 2.75 | 70.0 | G6SN-7-275 | G6TN-7-275 | | G6HD-6-275 |
| 2.87 | 73.0 | | | | G6HD-7-287 |
| 3.00 | 76.0 | G6SN-7-287 | G6TN-7-287 | | G6HD-7-300 |
| 3.50 | 88.9 | | | | G6HD-7-350 |
| 4.50 | 114.0 | | | | G6HD-8-450 |
| 5.63 | 140.0 | | | | G6HD-9-563 |
| 6.63 | 168.0 | | | | G6HD-9-663 |